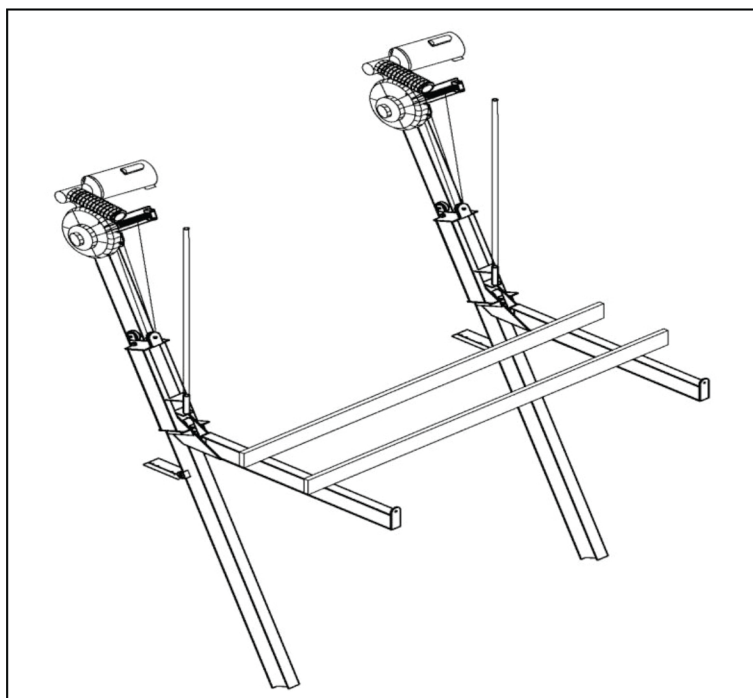


ELEVATOR LIFT OWNERS MANUAL

MODEL NUMBER

E3000; E5000; E7000; E10000; E12000; E15000; E17000; E20000; E24000; E30000



ADDITIONAL INFORMATION MAY BE OBTAINED ONLINE AT :

www.goldenboatlifts.com

FOR QUESTIONS ABOUT FEATURES, PARTS, AND ACCESSORIES PLEASE CALL YOUR LOCAL DEALER



Dealer: _____

Date of Install: _____

Owner: _____

Serial # _____

INTRODUCTION

Congratulations on your purchase of a Golden Elevator boat lift. We appreciate your business. You have purchased the finest boat lift on the market today. Utilizing the finest materials, uncompromised workmanship and unparalleled innovation, and diligent quality control the Elevator lift will provide years of consistent and dependable operation.

This Owners Manual is designed to provide vital information on safety, operation, and maintenance of your new Elevator model **E-3000** to **E-20000**. Thank you for your business. You can have peace of mind knowing your boat is cradled by "GOLDEN".

When It's Done Right...It's Golden!



CAUTION

Read operating instructions carefully.

General Precautions for Safe Operation of the Lift System

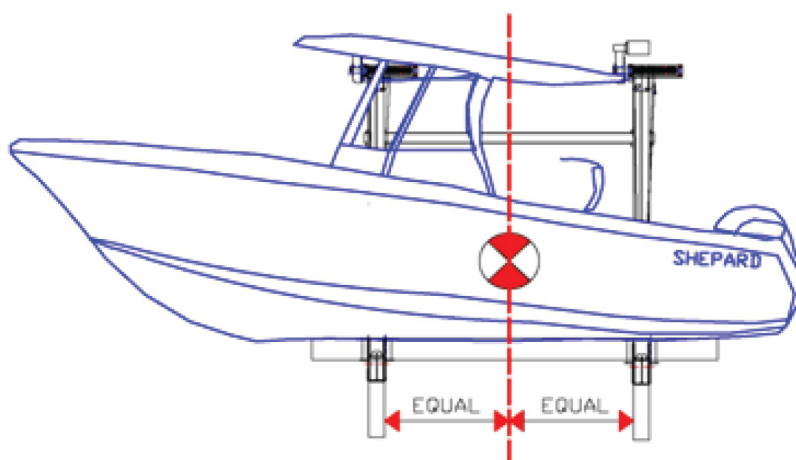
- * The lift **MUST** be wired by a licensed electrician!
- * **DO NOT** Operate the boat lift without Ground Fault Circuit Interrupter (GFCI).
- * Keep hands clear of all moving parts.
- * Boat lifts are **NOT** intended for lifting humans. **DO NOT** operate with people aboard.
- * **NEVER** leave the lift unattended while in operation.
- * **DO NOT** exceed the rated capacity.
- * **DO NOT** operate the boat lift without **ALL** protective covers in place.
- * The boat lift must be operated in the presence of an adult over 21.
- * **DO NOT WORK ON OR GO UNDER YOUR BOAT WHILE ON THE LIFT!**

**COMPLIANCE WITH GENERAL SAFETY AND WARNINGS WILL PREVENT
INJURY TO PERSONS AND DAMAGE TO YOUR BOAT**

Weight Distribution And Safe Operating Procedures

- * The weight of your boat must be evenly distributed on the beams to ensure your safety and the longevity of your lift. Consult the boat manufacturer for the lifting points and center of gravity on your boat.
- * Always place the center of gravity of your boat directly in the CENTER of your cradle beams.
- * Please consult with your installer for assistance and proper placement of your boat on the lift.

When your boat is properly centered on the lift mark a spot or feature that aligns with the forward or aft guide pole for easy proper docking.



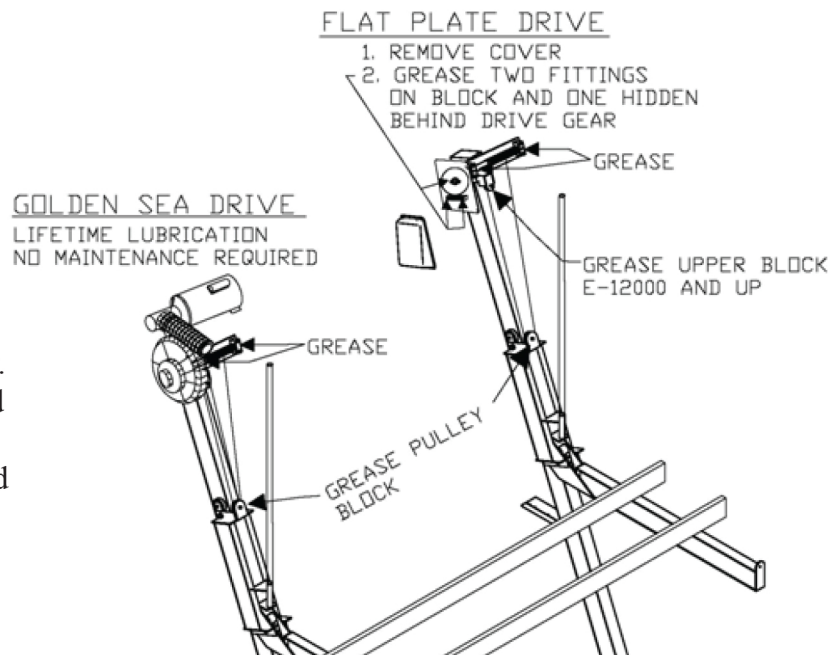
- * The boat lift cradle beams must be lowered below the draft of the boat before you drive your boat over the cradle beams. (Hint: At installation mark the guide pole at the water line when the cradle beams are below the boat. When docking, no matter the tide level the cradles will always be below the boat when the mark is at the waterline.)
- * When you raise the boat you must raise it far enough that the cradle beams are above the highest point the water may reach.
- * Inspect the cables before each use.
- * Replace any damaged or frayed cables immediately.

Golden Boat Lifts has supplied Zinc's to help reduce the corrosion that is possible in some locations. Please check them and replace as required.

Lock your control box and turn off electricity to your lift when not in use. This will help eliminate corrosion and reduce the chance of theft.

BOAT LIFT MAINTENANCE

Golden Boat Lifts are designed to provide years of service with very little maintenance. We recommend grease in the points depicted two times per year. The Sea-Drive is lubricated for life. Flat Plate - recommended to grease very often (every 10 uses).



TO KEEP YOUR LIFT IN OPERATING SERVICE:

- 1) Grease all fittings consisting of: one at each end of winders, lower pulley blocks and upper pulley block on E-12000 and up.
- 2) Flat Plate Drive: remove cover and grease the gear bearing blocks and behind drive gear.
- 3) Inspect all cables for wear and kinking. Replace **ALL WORN OR DAMAGED CABLE**.
- 4) Inspect electrical cables and test GFCI for proper function. Damage to cable insulation or loose connections should be immediately repaired by a qualified electrician.
- 5) Wipe all exposed aluminum surfaces
- 6) Rinse cables, rollers, and all submersible parts after each use.

**WITHOUT EXCEPTION WARRANTY COVERAGE
WILL NOT EXTEND TO DAMAGE CAUSED BY
ELECTROLYSIS!**

Check Zink Anodes often and replace when deformed. They can be found underwater hanging by 1/8" cable bolted to lift. One for each track beam.